

Palletizer/ Depalletizer

...Only from Eriez.

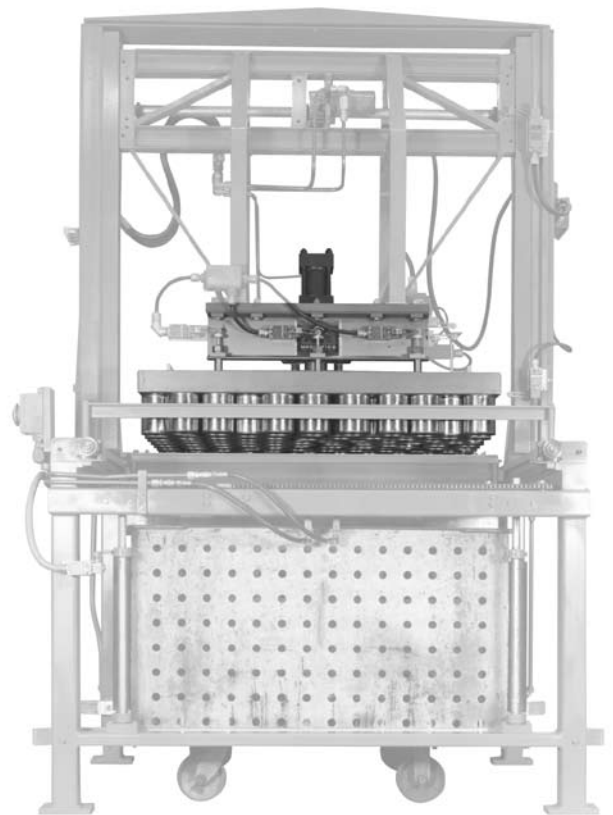
Permanent Magnetic

Erium™ permanent magnet holding power efficiently lifts and positions layers of steel cans.

Eriez Magnetic Palletizer/Depalletizer will remove an entire layer of steel cans at one time from a multilayer stack of cans...and do it quickly, smoothly, without tumbling, jamming or can damage. The entire layer can be transferred to a take-away belt, a retort, or any other area. The magnet can also be used in reverse order to deposit a layer on a pallet. The operation can be repeated to form a multilayer stack. The cans may be full or empty.

Magnetic force is supplied by Erium® powered permanent magnets. Barring accidental damage to the head there is always ample magnetic force for continuous can lifts.

Palletizer/Depalletizer Magnets can be built in various sizes to fit can stack configurations.



The unit consists of a magnetic head encased in stainless steel; a stripper assembly consisting of a stripper head and a stainless steel stripper pan; and a 6-inch (152 mm) bore diameter air cylinder with a stroke of 1-1/2 inch (38 mm) and oversized rod for use with 80 psi (5.6 kg/sq cm) minimum and 150 psi (10.5 kg/sq cm) maximum air pressure. The supporting structure and conveying system must be custom built for each installation and are supplied by others.

The stripper head is permanently attached to the stripper pan by means of threaded rod and has four lugs to which suspension cables or chains can be attached. The magnetic head when in the pickup position, rests on the stripper pan. The 1-1/2 inch (38 mm) stroke is applied to raise the magnetic head away from the stripper pan when the cans are to be released.

In operation, the assembly is lowered (or the cans raised) until the stripper pan contacts the cans to be handled. The magnetic head is then lowered to the holding position (Fig. 1).

The entire assembly is lifted (or the can layer support lowered) and the palletizer/depalletizer holds the cans magnetically as they are carried to the desired area. The magnetic head is raised and the cans are released (Fig. 2).

The stripper pan remains in a fixed horizontal position, as does the remainder of the assembly. Upon release of the cans the entire assembly is raised and returned to the pickup point, where the cycle is repeated.

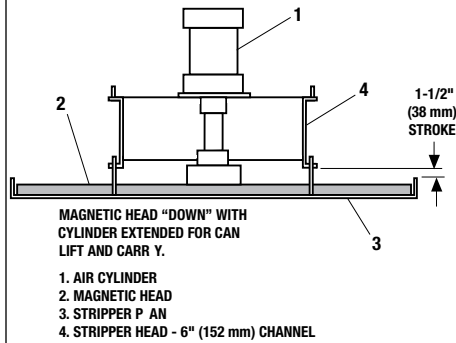


Figure 1

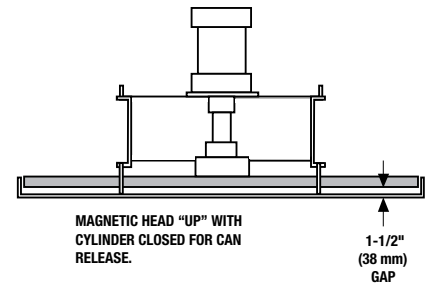
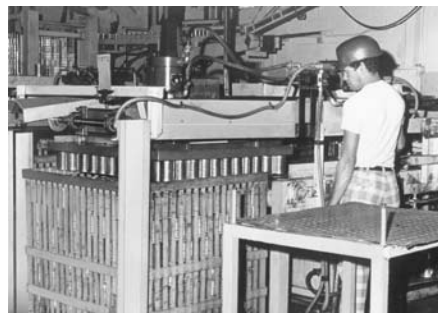
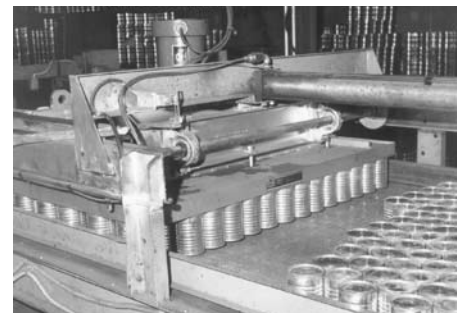


Figure 2

CAN SIZE diameter	HOLDING POWER		RECOMMENDED MAXIMUM CAN WEIGHT	
	lb	kg	lb	kg
202	2-1/4	1.0	1-1/2	.7
211	4-1/4	1.9	3	1.4
400	7	3.2	5	2.3
403	7	3.2	5	2.3
603	12	5.4	9 to 9-1/2	4.1 to 4.3



A layer of 133 filled No. 303 cans is picked up and moved by an Eriez depalletizer magnet at the C-B Foods Division of Curtice-Burns, Inc. The magnetic depalletizer replaced a sweep arm arrangement which frequently tumbled and jammed the cans.



An Eriez depalletizer magnet deposits cans upright and unscathed on a conveyor for labeling and packing at Producer Canners' Cooperative, Inc. The old equipment formerly used depended on a sweep arm that sometimes knocked cans over as it pushed them onto the conveyor.

Dimensions and specifications are subject to change without notice.

Note: Some safety warning labels or guarding may have been removed before photographing this equipment.

